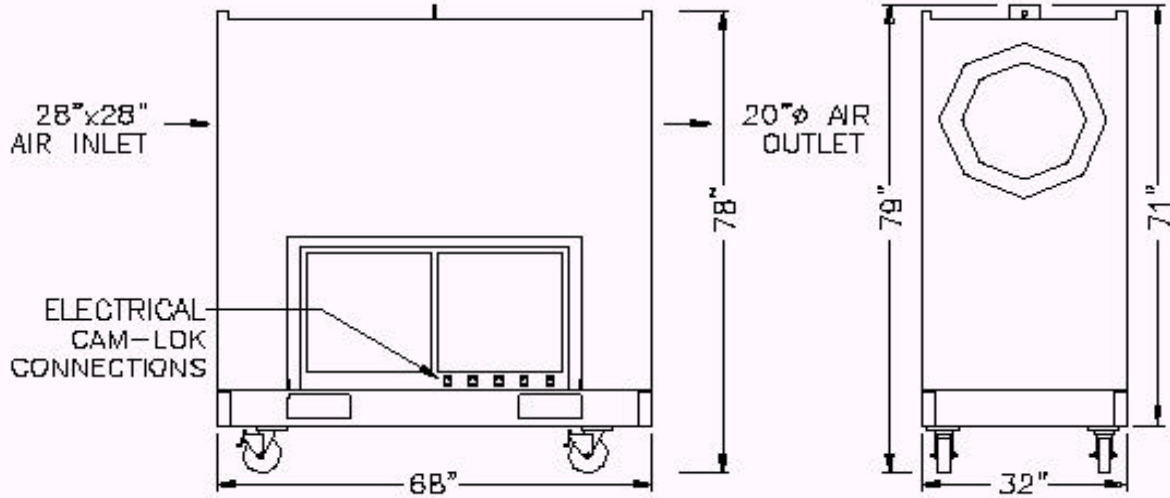




## RENTAL HEATERS

### 150 kW ELECTRIC HEATER



Unit Arrangement and Approximate Dimensions

#### General System Description

Fully packaged system, completely assembled, arrives on job site ready for installation in minimal time. Each unit is self-contained, with a single point power connection, and designed for indoor or outdoor (roof or ground level) use. The electric heater comes with remote thermostat on a 25' lead, detachable castors, front air discharge, mounted disconnect, and Cam-lok connections.

#### Electrical Requirements

Power Supply\* 460V / 3PH / 60H  
Breaker Size 200 AMP  
Motor Horsepower 7.5 HP  
Power Load (FLA / MCA) 192 / 194

\*Unit provided with a disconnect and control transformer.

#### Physical Data

Operating Weight 1,800 lbs  
Overall Length 68"  
Overall Width 32"  
Overall Height 66"

#### Equipment Data

Model Number 150H  
Nominal Heating Capacity 510,000 BTU/Hr  
Airflow Range 3,000 to 7,000 CFM  
External Static Pressure 3.5" H<sub>2</sub>O  
Duct Connection 20"  
Filters None

#### Obtainable Air Temperature Rise

68°F @ 7,000 CFM  
79°F @ 6,000 CFM  
95°F @ 5,000 CFM  
105°F @ 4,500 CFM  
118°F @ 4,000 CFM  
135°F @ 3,500 CFM  
158°F @ 3,000 CFM

#### Notes

1. Adequate space for clearance to air inlet must be maintained.
2. 1/0 cable required

\*Unit can be rated for a wide variety of airflows and conditions.  
Consult your Michigan CAT rental professional.

**MICHIGAN CAT RENTALS**

**24 Hour Hotline: (800)833-1789**

[www.michigancat.com](http://www.michigancat.com)